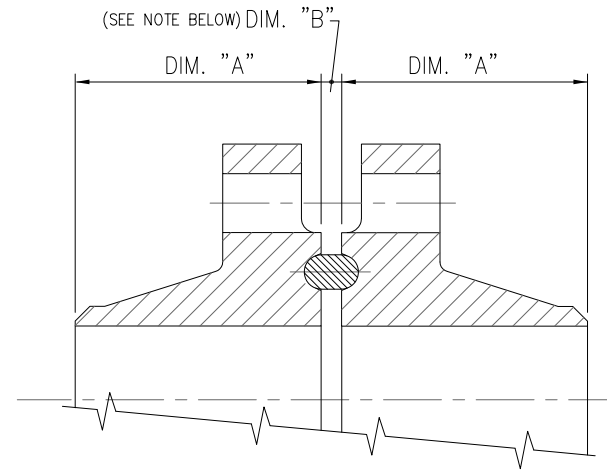


OCTAGONAL RING CONFIG.
(SEE NOTE BELOW)



OVAL RING CONFIG.
NOTE - "OLDER" STYLE

RING JOINT WELD NECK FLANGES

FLG. RATING NOM. PIPE	150#		300#		600#		900#		1500#		2500#	
	A	B	A	B	A	B	A	B	A	B	A	B
1/2"	2 1/16"		2 5/16"		2 5/16"		SAME AS 1500# RATING	1500# RATING	2 5/8"		3 1/8"	
3/4"	2 1/4"		2 1/2"		2 1/2"				3"		3 3/8"	
1"	2 3/8"		2 11/16"		2 11/16"				3 1/8"		3 3/4"	
1 1/4"	2 7/16"		2 13/16"		2 7/8"				3 1/8"		4 1/16"	
1 1/2"	2 5/8"	3/16"	2 15/16"	1/4"	3"	3/16"			3 1/2"	3/16"	4 11/16"	1/8"
2"	2 11/16"	3/16"	3 1/16"	1/4"	3 3/16"	3/16"			4 5/16"	1/8"	5 5/16"	1/8"
2 1/2"	2 15/16"	3/16"	3 5/16"	1/4"	3 7/16"	3/16"	4 7/16"	1/8"	6"	1/8"		
3"	2 15/16"	3/16"	3 7/16"	1/4"	3 9/16"	3/16"	4 5/16"	3/16"	4 15/16"	1/8"	7"	1/8"
4"	3 3/16"	3/16"	3 11/16"	1/4"	4 5/16"	3/16"	4 13/16"	3/16"	5 3/16"	1/8"	7 15/16"	1/8"
5"	3 11/16"	3/16"	4 3/16"	1/4"	4 13/16"	3/16"	5 5/16"	3/16"	6 7/16"	1/8"	9 1/2"	3/16"
6"	3 11/16"	3/16"	4 3/16"	1/4"	4 15/16"	3/16"	5 13/16"	3/16"	7 1/8"	1/8"	11 1/4"	3/16"
8"	4 3/16"	3/16"	4 11/16"	1/4"	5 9/16"	3/16"	6 11/16"	3/16"	8 13/16"	3/16"	13 1/16"	3/16"
10"	4 3/16"	3/16"	4 15/16"	1/4"	6 5/16"	3/16"	7 9/16"	3/16"	10 7/16"	3/16"	17 3/16"	1/4"
12"	4 11/16"	3/16"	5 7/16"	1/4"	6 7/16"	3/16"	8 3/16"	3/16"	11 11/16"	3/16"	18 15/16"	5/16"
14"	5 3/16"	1/8"	5 15/16"	1/4"	6 13/16"	3/16"	8 13/16"	3/16"	12 3/8"	1/4"	-	-
16"	5 3/16"	1/8"	6 1/16"	1/4"	7 5/16"	3/16"	8 15/16"	3/16"	12 15/16"	5/16"	-	-
18"	5 11/16"	1/8"	6 9/16"	1/4"	7 9/16"	3/16"	9 1/2"	3/16"	13 9/16"	5/16"	-	-
20"	5 7/8"	1/8"	6 3/4"	1/4"	7 7/8"	3/16"	10 1/4"	3/16"	14 11/16"	5/8"	-	-
24"	6 3/16"	1/8"	7 1/16"	1/4"	8 7/16"	1/4"	12 1/8"	1/4"	16 13/16"	7/16"	-	-

NOTE - USING THE OLDER STYLE OVAL RING WITHIN AND OCTAGONAL FLANGE CHANGES DIM. "B"